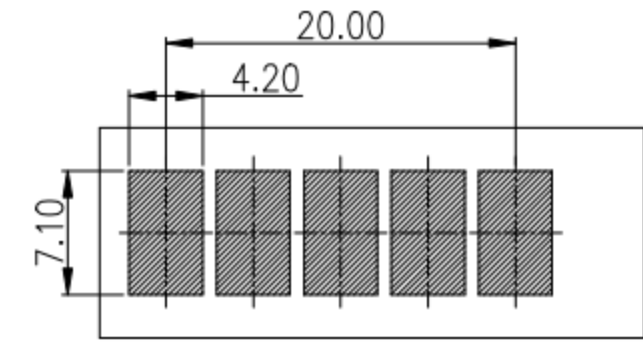
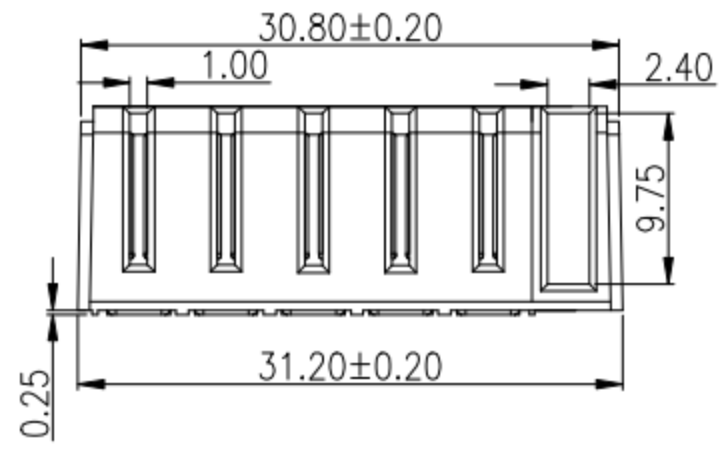
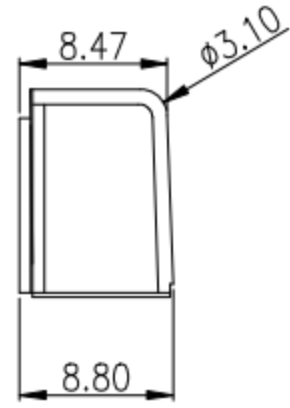
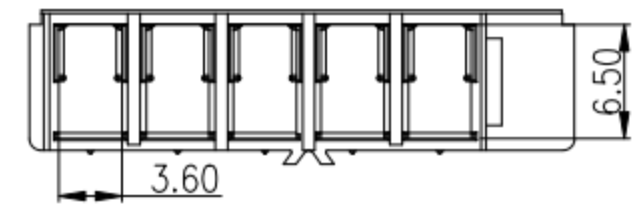
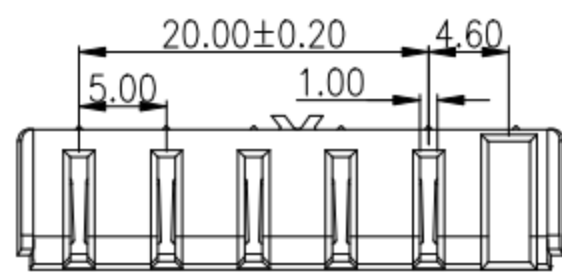


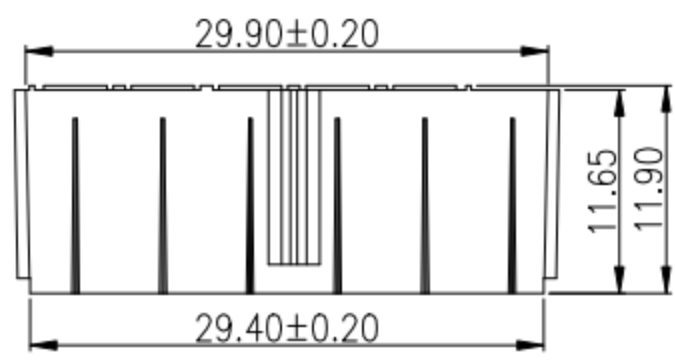
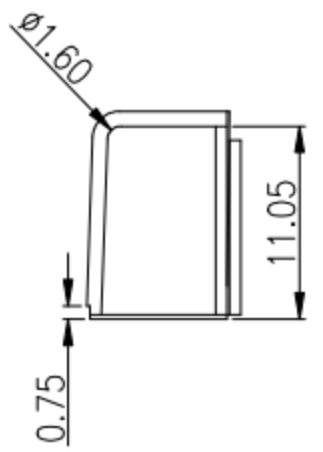
REV.	ECN NO.	DESCRIPTION	DESIGN	DATE
A		INITIAL	Kai	2018.03.29



RECOMMENDED P.C. BOARD LAYOUT



NOTE:  
 Material  
 Insulator: Nylon 9T(UL94V-0)  
 Contact: phosphor Bronze  
 Contact Plated: Gold over Nickel or Tin  
 Specification  
 Rated voltage: 12V 30V  
 Current rating: 3A 5A  
 instant CURRENT: 7A  
 Contact Resistance: 30MΩ  
 Insulation Resistance: 100MΩ  
 Dielectric Voltage: 1000V  
 Operating Temperature: -40°~105°



UNLESS OTHERWISE SPECIFIED TOLERANCES

东莞市高迪电子有限公司

DECIMALS:		ANGLES:	
DIM	TOL	DIM	TOL
X.	±0.50	X.	±2'
X.X	±0.30	X.X	±1'
X.XX	±0.20	X.XX	
X.XXX	±0.10	X.XXX	

DWG NO.	PART NAME:
DESIGN:	PART NO.
CHECK:	REV. A
APPROVED	UNIT: mm
	SHEET: 1/1

ITEM	PART NAME	Q'TY	MATERIAL	DESCRIPTION	REMARK
②	HOUSING	1	LCP		BLACK
①	CONTACT A	2	PHOSPHOR BRONZE 0.20T	Au PLATED	